



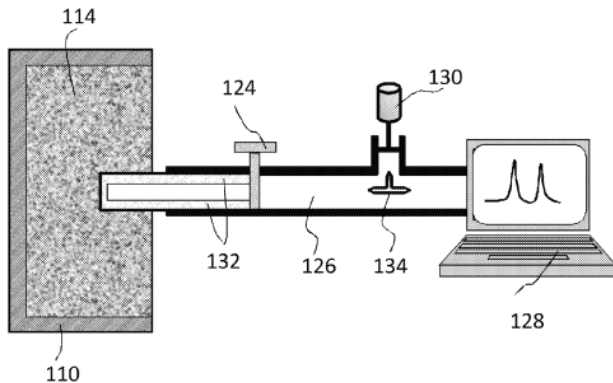
APPARATUS & METHODS FOR DETECTING PROPELLANT DEGRADATION IN SOLID PROPELLANT FUEL

INTRODUCTION

This technology relates to a gas sensor, a gas collecting chamber including: a nano-porous wall including alumina, on a portion of the gas collecting chamber in the near vicinity of the solid propellant fuel; a micro pump attached to the gas collecting chamber; and a gas analysis device connected to the gas collecting chamber. The gas analysis device measures both type and concentration of gases collected in the gas collecting chamber via the nano-porous wall, the gases measured being selected from the group consisting of CO, CO.sub.2, NO, N.sub.2O, NO.sub.2 and combinations thereof. The present disclosure also relates to a method of sensing propellant degradation in solid fuel and a method of using a gas collecting chamber to sense such degradation.

CONCEPT

The technology is a device that measures both type and concentration of gases collected in the a chamber via the nano-porous wall.



INVENTION OVERVIEW

The technology is a device that measures both type and concentration of gases collected in the gas collecting chamber via the nano-porous wall. It also relates to a method on sensing propellant degradation in solid fuel and a method of using a gas collection chamber to sense such degradation.

- Improved method for detecting propellant degradation in solid propellant fuel.
- Improved applications related to gas sensing.
- U.S. Patent Number: 8,590,404 B2

- Application Number: 13,405,469
- Date of Patent: 26 Nov 2013.

POTENTIAL MARKET

- Gas sensor industries

DOING BUSINESS WITH CCDC AVIATION & MISSILE CENTER

CCDC Aviation & Missile Center is a leader in partnering with domestic firms. Successfully developed and implemented innovative tools to ease the technology transfer process such as:

- Patent License Agreements
- Cooperative Research and Development Agreements
- Test Services Agreements

FOR FURTHER INFORMATION:

U.S. ARMY COMBAT CAPABILITIES DEVELOPMENT
COMMAND AVIATION & MISSILE CENTER:

ATTN: FCDD-AMG-CST
Office of Research and Technology Applications
5400 Fowler Road
Redstone Arsenal, AL 35898

Phone: 256-876-8473 or 256-313-0895
Email: usarmy.redstone.ccdc-avmc.mbx.orta@mail.mil