



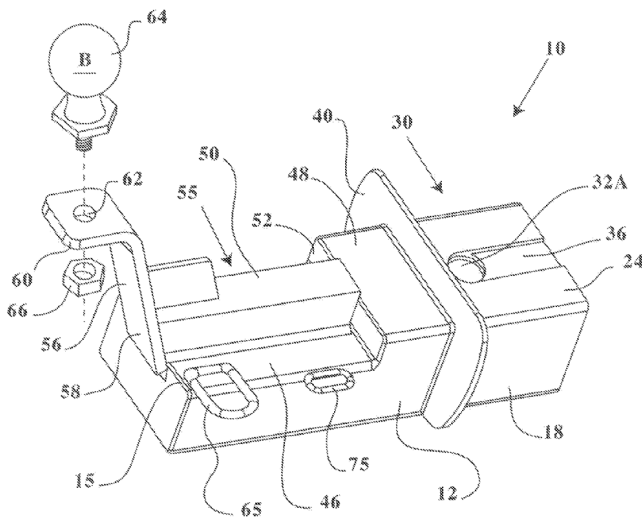
# FORKLIFT RECEIVER HITCH

## INTRODUCTION

A fork lift hitch receiver has a trailer attachment side and a fork lift receiving side separated by an insert guard. Top, middle and bottom structural layers on the fork lift receiving side are provided with apertures which form a rod reception path. The fork lift receiving side is inserted into a receiving cavity of the forklift where an attachment rod of the forklift is inserted through the rod reception path. The insert guard covers the receiving cavity and assists in orienting the fork lift receiving side to a location within the cavity where the attachment rod can be inserted through the reception path. A guide path formed in the top layer on the receiving side of the fork lift hitch receiver further aids in guiding the attachment rod to the reception path. A ball and a ball support member are attached to the trailer attachment side.

## CONCEPT

The invention provides a more efficient fork lift receiver hitch.



## INVENTION OVERVIEW

The invention is a fork lift receiver hitch.

- Guides the path of the fork lift hitch receiver to attaching rod in reception path.
- U.S. Patent Number: 8,104,783 B2
- Application Number: 14/041,448
- Date of Patent: 31 Jan 2012

## POTENTIAL MARKET

- Machine & tooling industries

## DOING BUSINESS WITH CCDC AVIATION & MISSILE CENTER

CCDC Aviation & Missile Center is a leader in partnering with domestic firms. Successfully developed and implemented innovative tools to ease the technology transfer process such as:

- Patent License Agreements
- Cooperative Research and Development Agreements
- Test Services Agreements

## FOR FURTHER INFORMATION:

U.S. ARMY COMBAT CAPABILITIES DEVELOPMENT  
COMMAND AVIATION & MISSILE CENTER:

ATTN: FCDD-AMG-CST  
Office of Research and Technology Applications  
5400 Fowler Road  
Redstone Arsenal, AL 35898

Phone: 256-876-8473 or 256-313-0895  
Email: [usarmy.redstone.ccdc-avmc.mbx.orta@mail.mil](mailto:usarmy.redstone.ccdc-avmc.mbx.orta@mail.mil)